

EM1 GENERAL INFORMATION

Technical data

Gauge isolator valves

Gauge isolator valves are designed to protect pressure gauges from pressure shocks when the pressure reading is not required; after each reading setting the selector to the closed position serves to depressurise the pressure gauge by means of the T fitting connected to the reservoir.

3 and 6-way pressure gauge selectors perform the same function as the gauge isolator valves, allowing pressure values from different parts of the system to be read using a single pressure gauge.

Working instructions:

- Button not pressed: pressure gauge isolated
- Button pressed: pressure gauge reading
- Button pressed and turned (either to left or right): button remains in position and pressure gauge measures pressure continuously.
- To isolate the pressure gauge from pressure reading, turn the button until it returns to the not pressed position.

Materials A-B

- Body: Cast iron
- Pin: Steel
- Seals: NBR, FPM
- Knob/cover: Nylon
- Stop ring: Steel
- Spring: Steel
- Nameplate: Aluminium
- Nut-screw: Galvanized steel

Materials C

- Body: Cast iron
- Pin: Steel
- Seals: NBR, FPM
- Knob/cover: Nylon
- Stop ring: Steel
- Spring: Steel
- Nameplate: Aluminium
- Nut-screw: Galvanized steel
- Plug: Anodized steel

Operating pressure

400 bar

Operating temperature

From -25 °C to + 100 °C

Weight

EM1 version A 0.41 kg
EM1 version B 0.44 kg
EM1 version C 1.00 kg

Quantity

25 pcs/pack



Designation & Ordering code

EM1

Series and size

EM1

Configuration example : **EM1** **A** **G2** **A** **P01**

Version

- A** Threaded connections, panel mount with hex nut
- B** Threaded connections, panel mount with screws
- C** Manifold/threaded connections, panel mount with screws

Connection

- G1** G 1/4"
- G2** 1/4" NPT
- G3** SAE 5 - 1/2" - 20 UNF

Seals

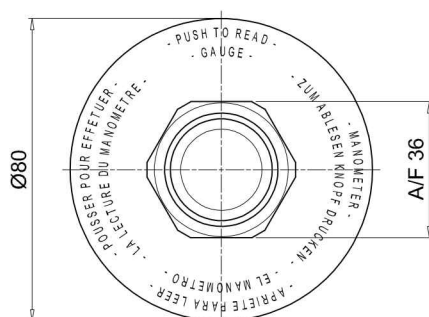
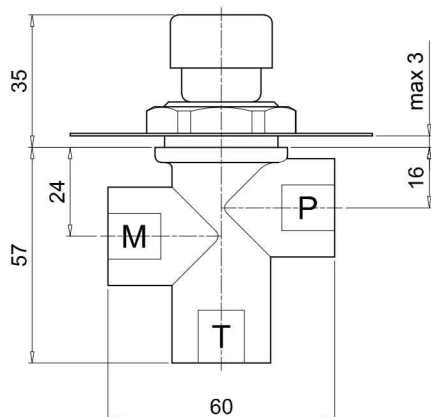
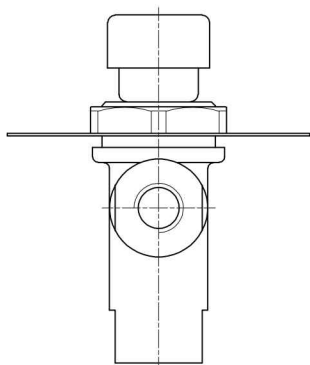
- A** NBR
- V** FPM

Execution

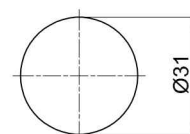
- P01** MP Filtri standard
- Pxx** Customized

EM1

version A

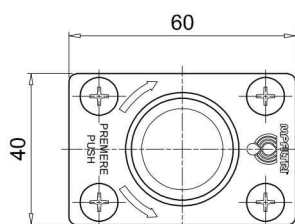
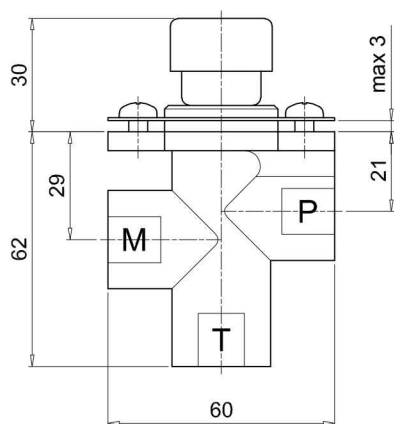
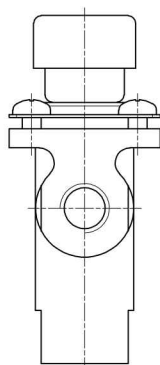


Holes on the panel

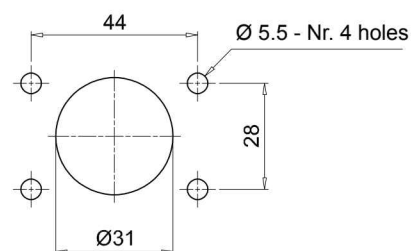


EM1

version B

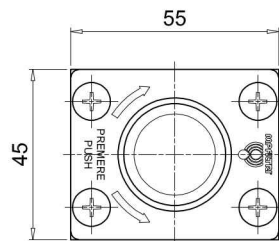
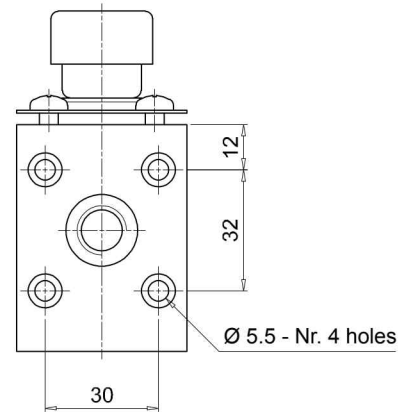
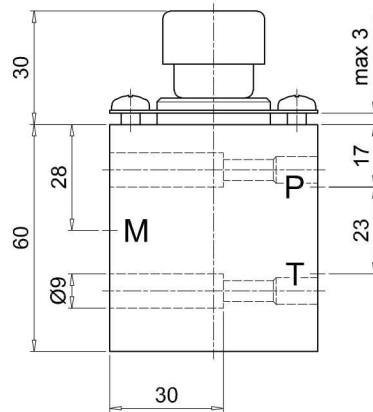
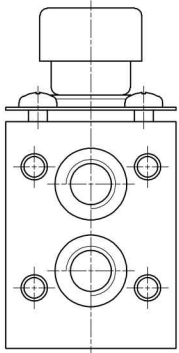


Holes on the panel



EM1

version C



Holes on the panel

